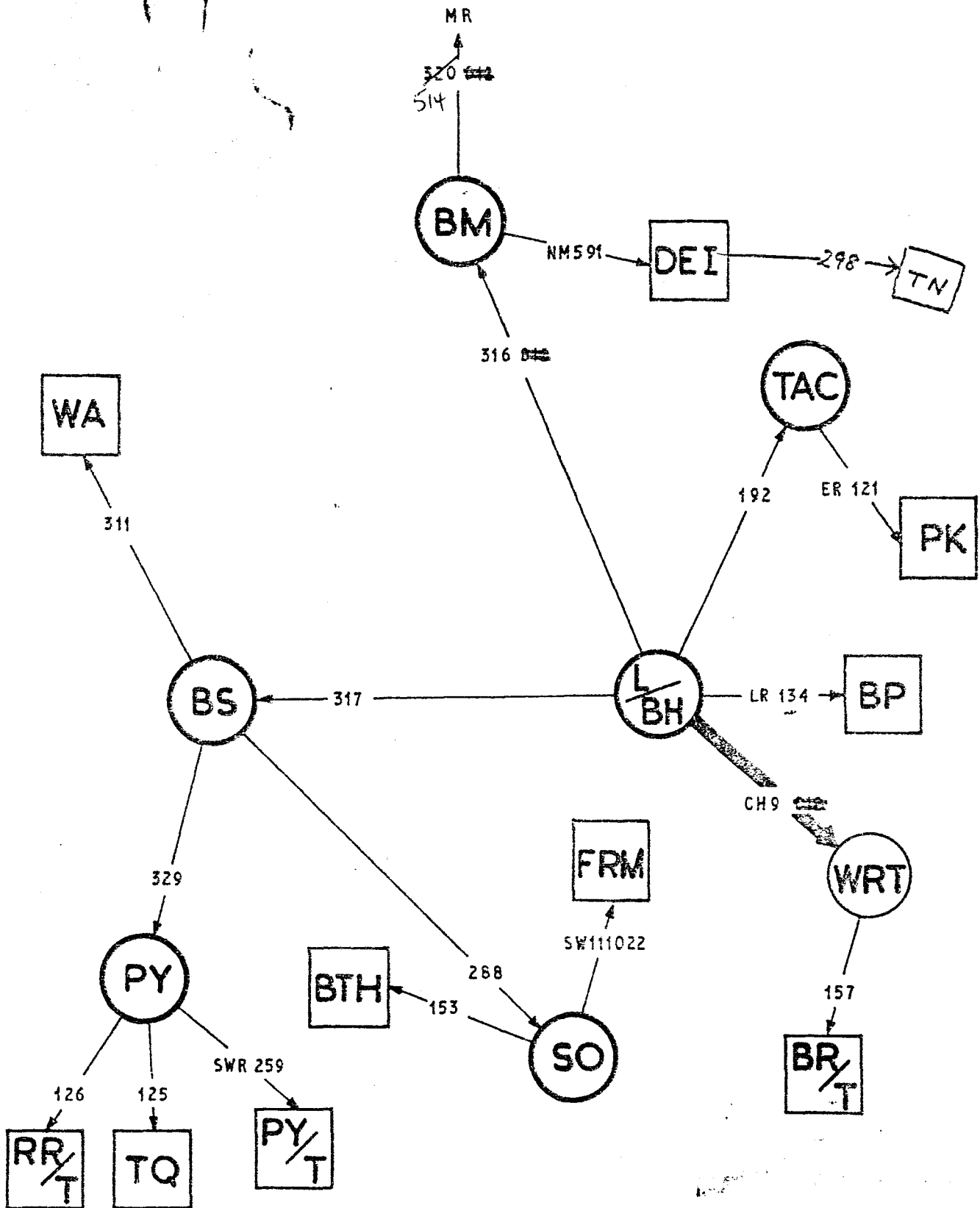


RADIO ONE DISTRIBUTION - SOUTH

NOTE: Pages SA1 and SA2 show normal Radio 1 distribution. When Radio 2 VHF transmitters carry Radio 1 circuits shown as D12 carry Radio 2. See sheets SZ, SB1 and SB2.



NETWORK ROUTINGS

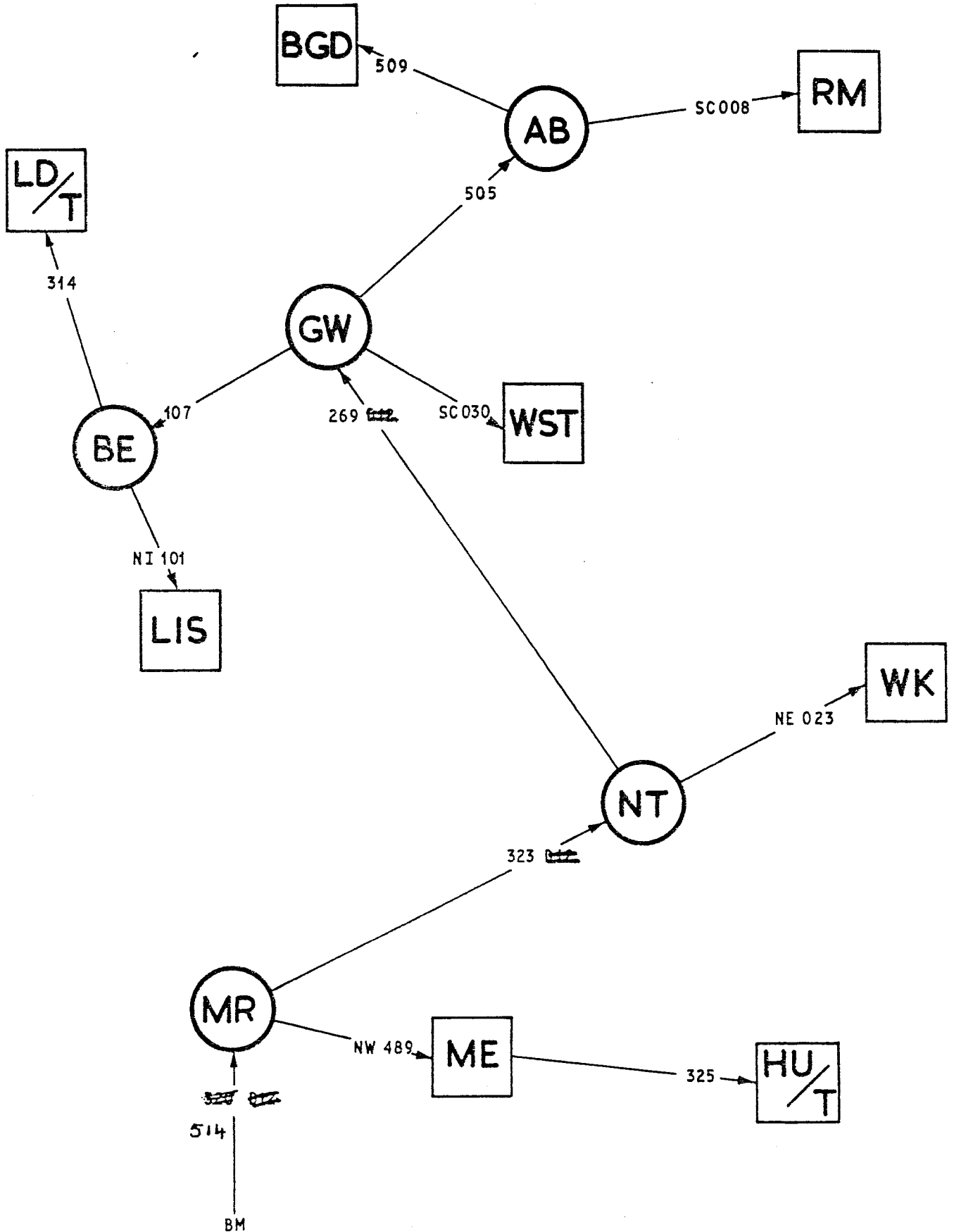
PART ONE

SA2

ISSUE 2/76

RADIO ONE DISTRIBUTION - NORTH

NOTE - Pages ~~SA1 and SA2~~ show normal Radio 1 distribution. When Radio 2 VHF transmitters carry Radio 1, circuits shown as ~~D12~~ carry Radio 2. See sheets ~~S2, S81 and S82~~.



NETWORK ROUTINGS

PART ONE

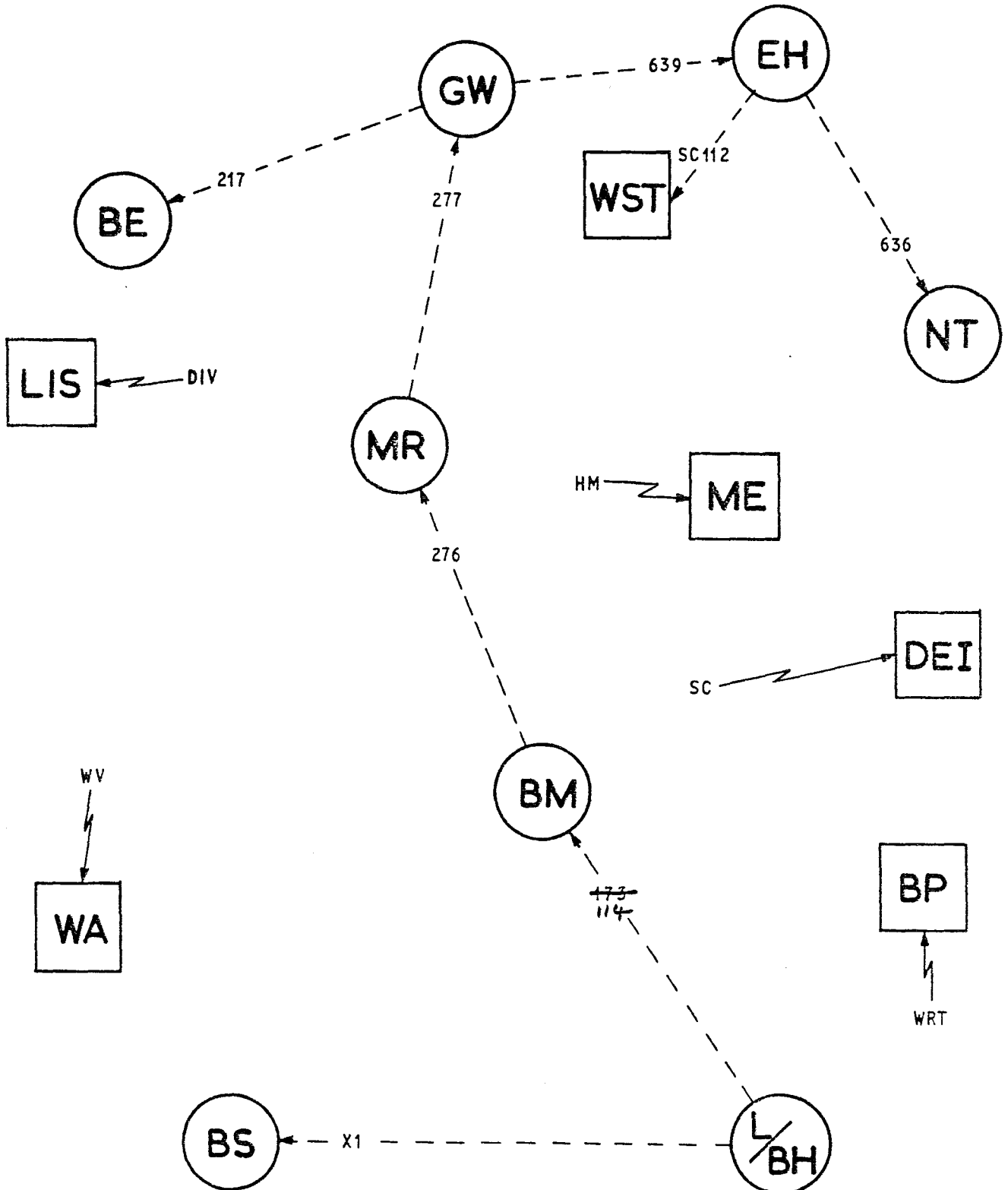
SA3

ISSUE 2/76

RADIO ONE RESERVE DISTRIBUTION

--- CIRCUITS AVAILABLE DURING
'UNGUARDED HOUR' AS SHOWN
ON SB CHART

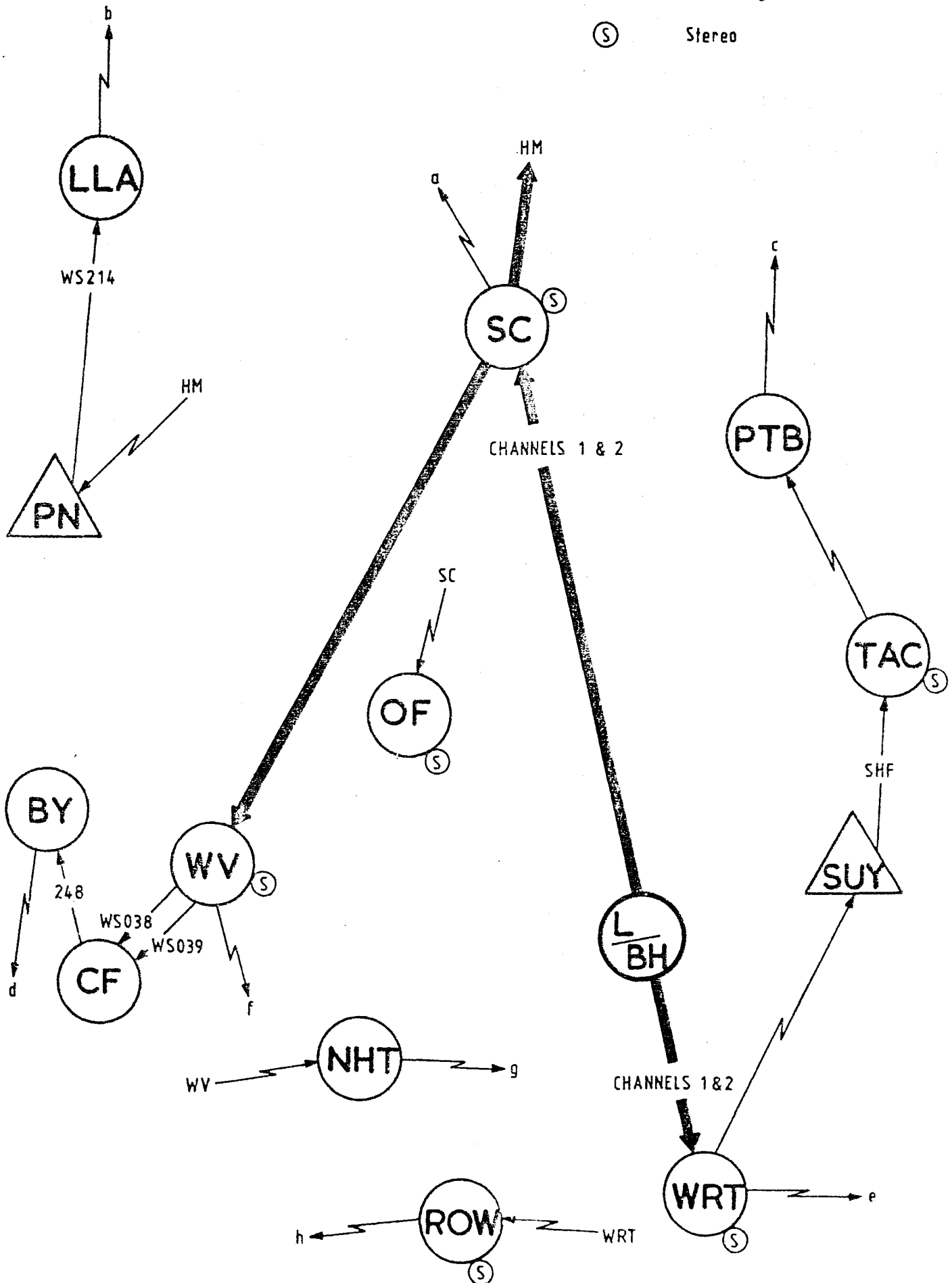
⚡ RBS may be incorrect programme



D2 VHF - SOUTH

See Page SB1a

(S) Stereo



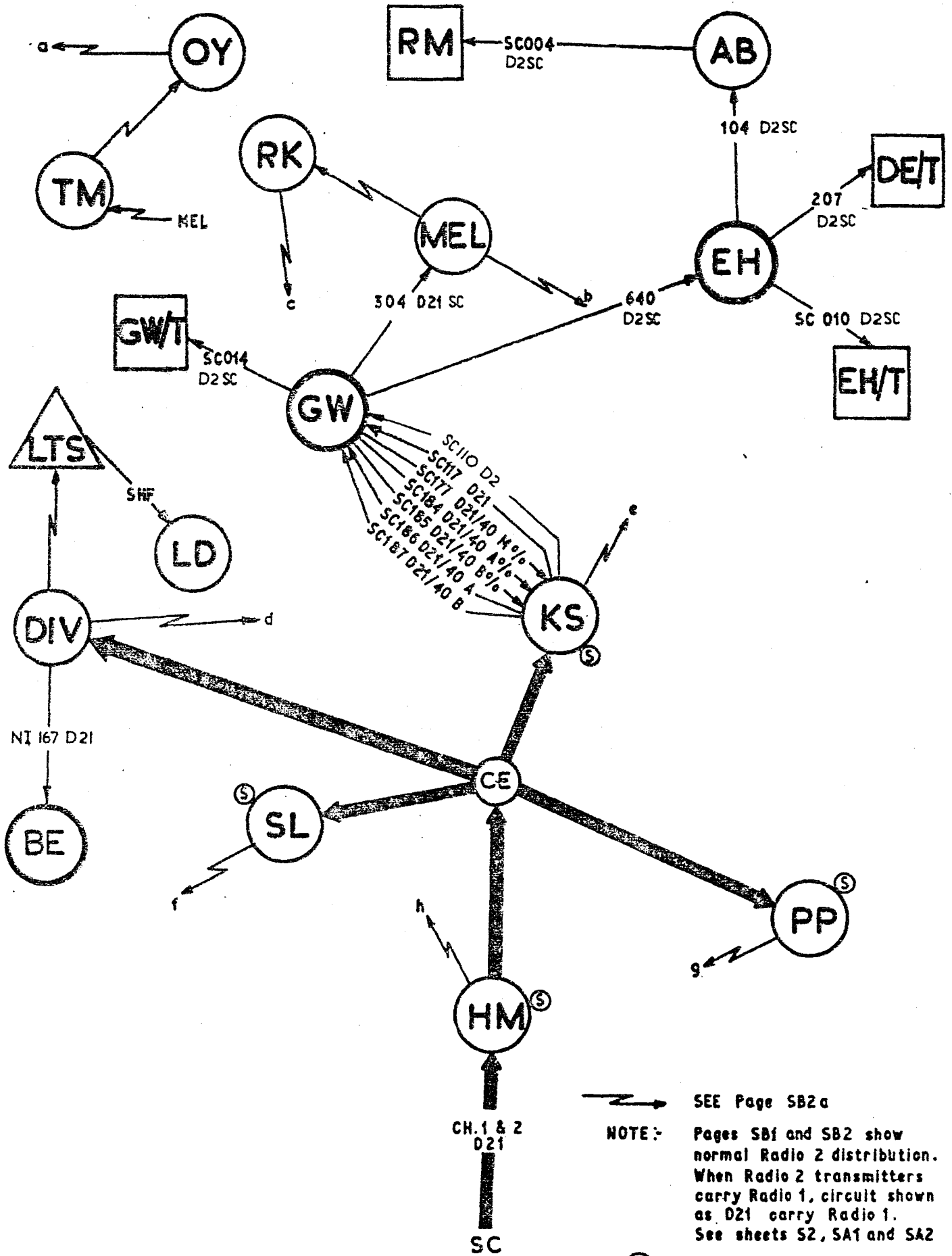
NETWORK ROUTINGS

SB2

PART ONE

Issue 6/77

RADIO TWO DISTRIBUTION - NORTH



SEE Page SB2a

NOTE:- Pages SB1 and SB2 show normal Radio 2 distribution. When Radio 2 transmitters carry Radio 1, circuit shown as D21 carry Radio 1. See sheets S2, SA1 and SA2

STEREO

NETWORK ROUTINGS

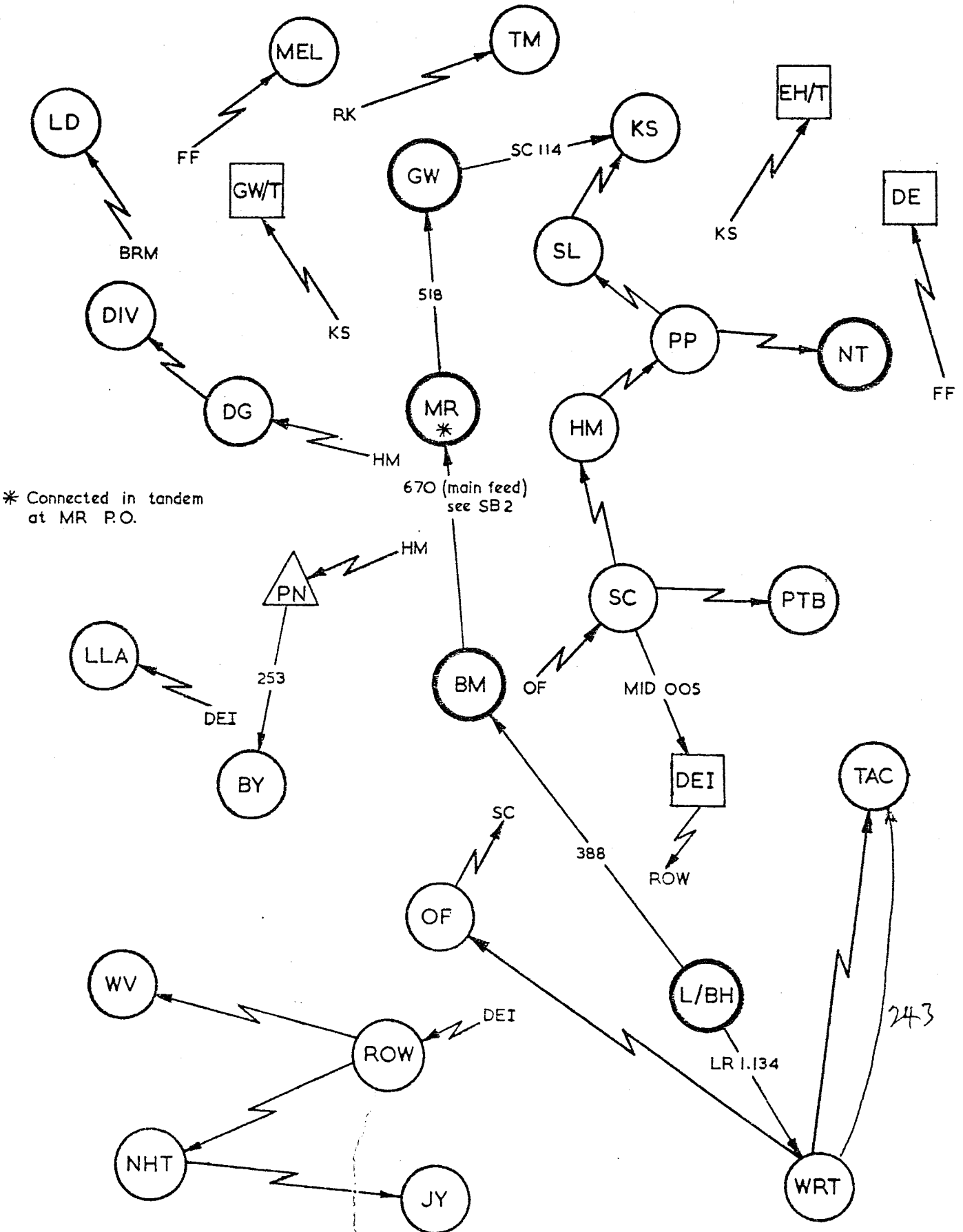
PART ONE

SB3

ISSUE 6177

RADIO TWO RESERVE DISTRIBUTION

RBS may be incorrect programme



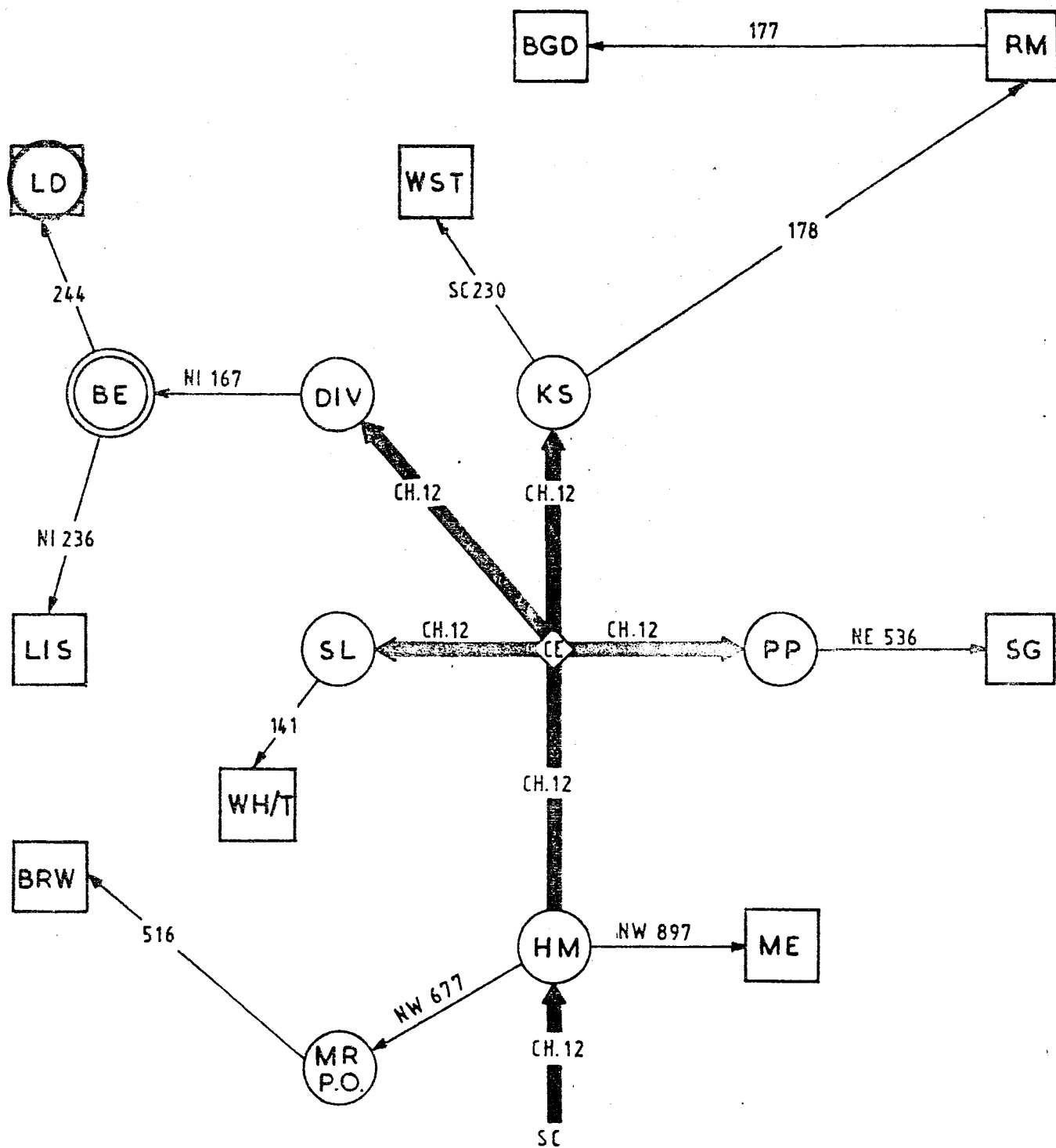
NETWORK ROUTINGS

SB5

PART ONE

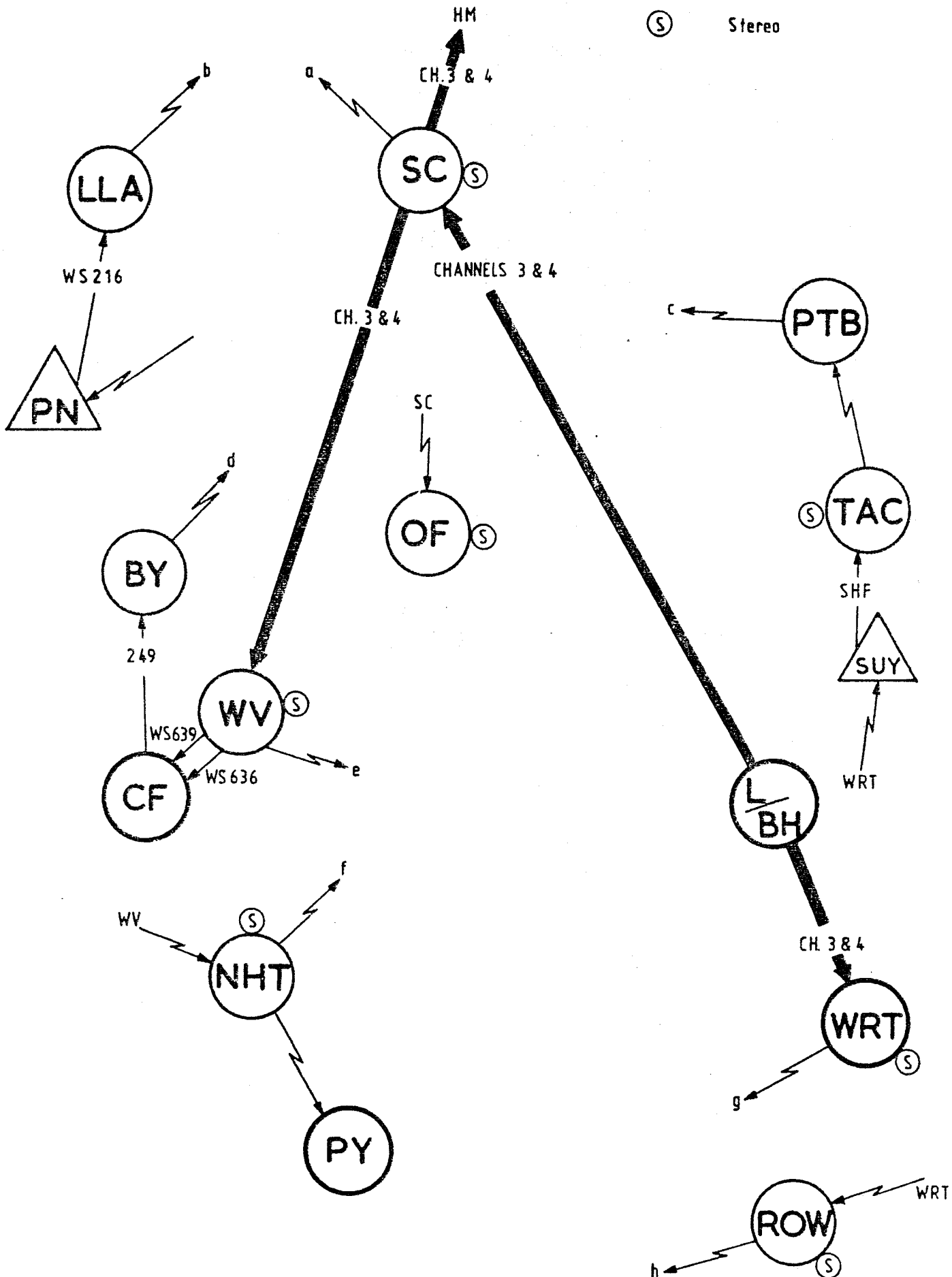
ISSUE 11/78

D2 MFP — NORTH



D3 VHF - SOUTH

See Page SC1a
S Stereo

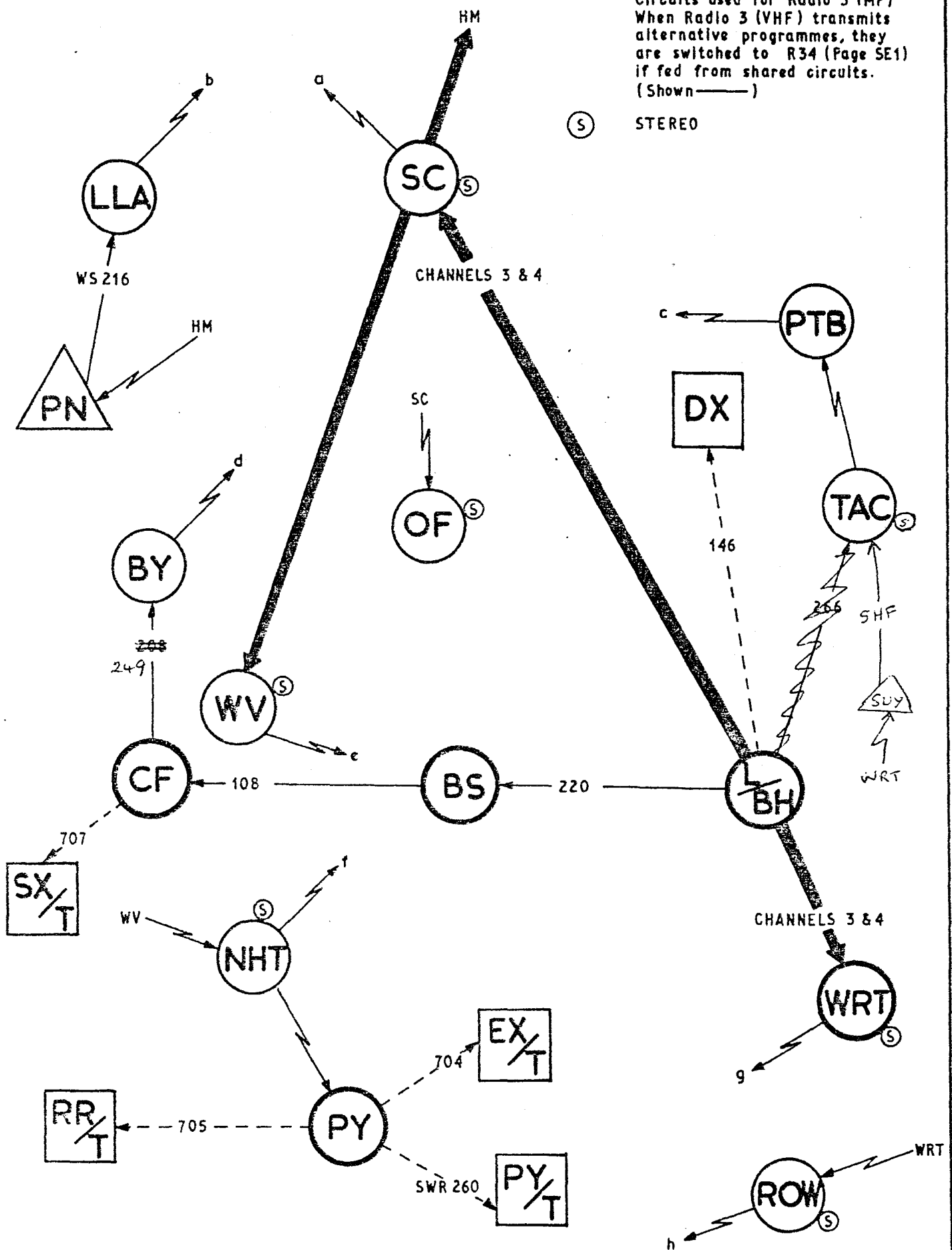


RADIO THREE DISTRIBUTION - SOUTH

SEE Page SC1a

--- Circuits used for Radio 3 (MF)
When Radio 3 (VHF) transmits
alternative programmes, they
are switched to R34 (Page SE1)
if fed from shared circuits.
(Shown ---)

(S) STEREO



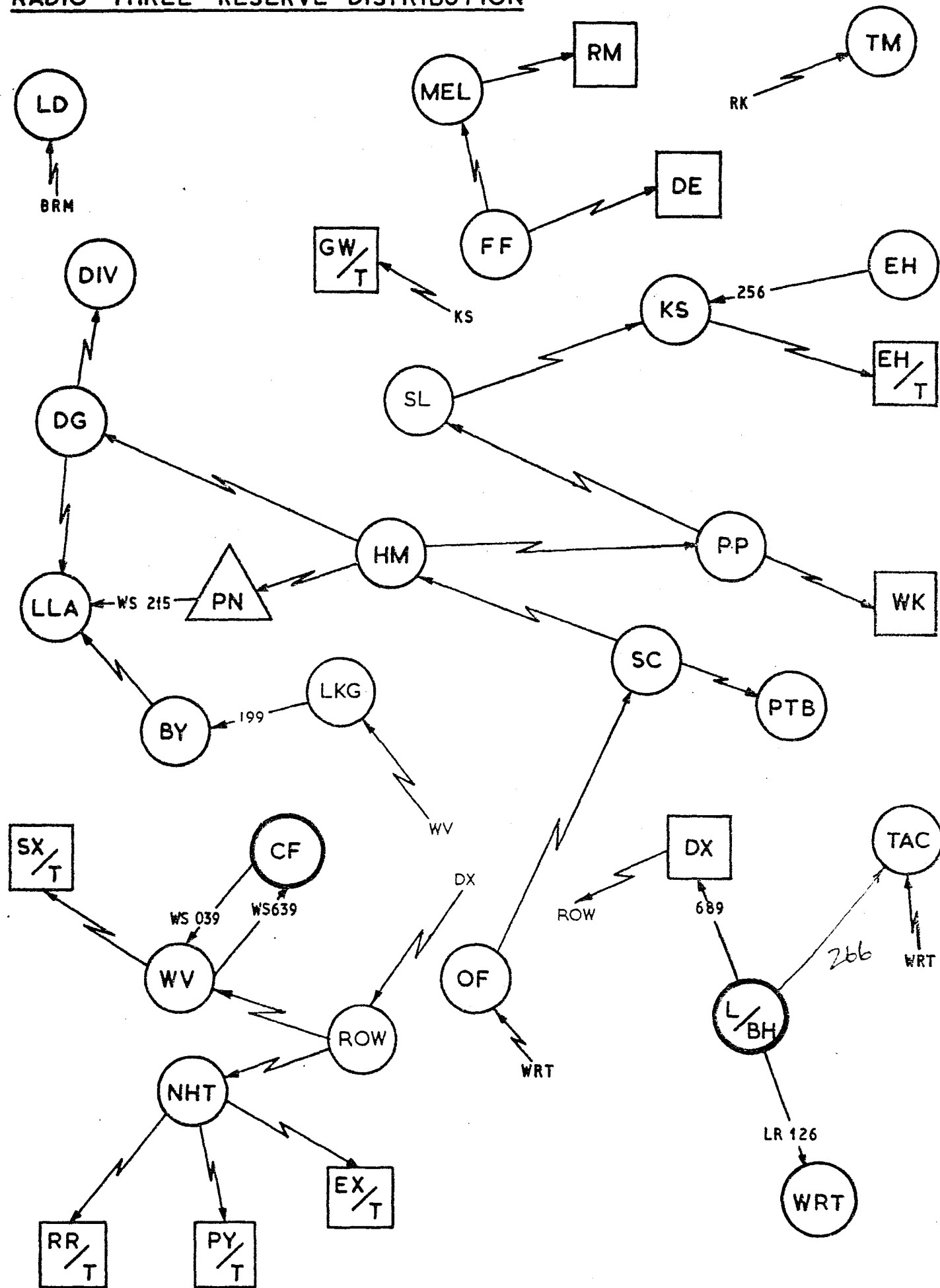
NETWORK ROUTINGS

PART ONE

SC3

ISSUE 6/77

RADIO THREE RESERVE DISTRIBUTION



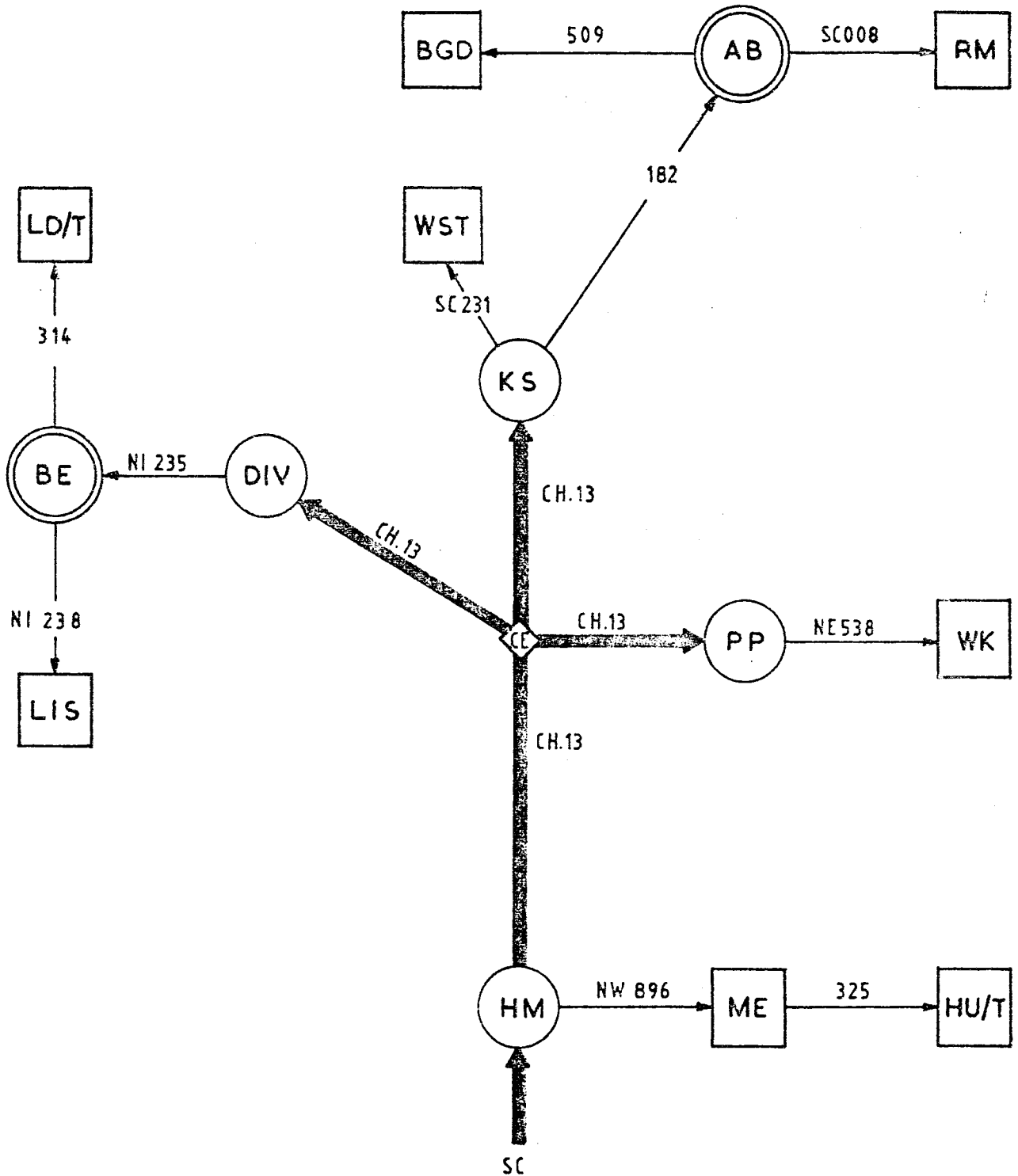
NETWORK ROUTINGS

SC5

PART ONE

ISSUE 11/78

D3 MFP — NORTH



D4 VHF — SOUTH

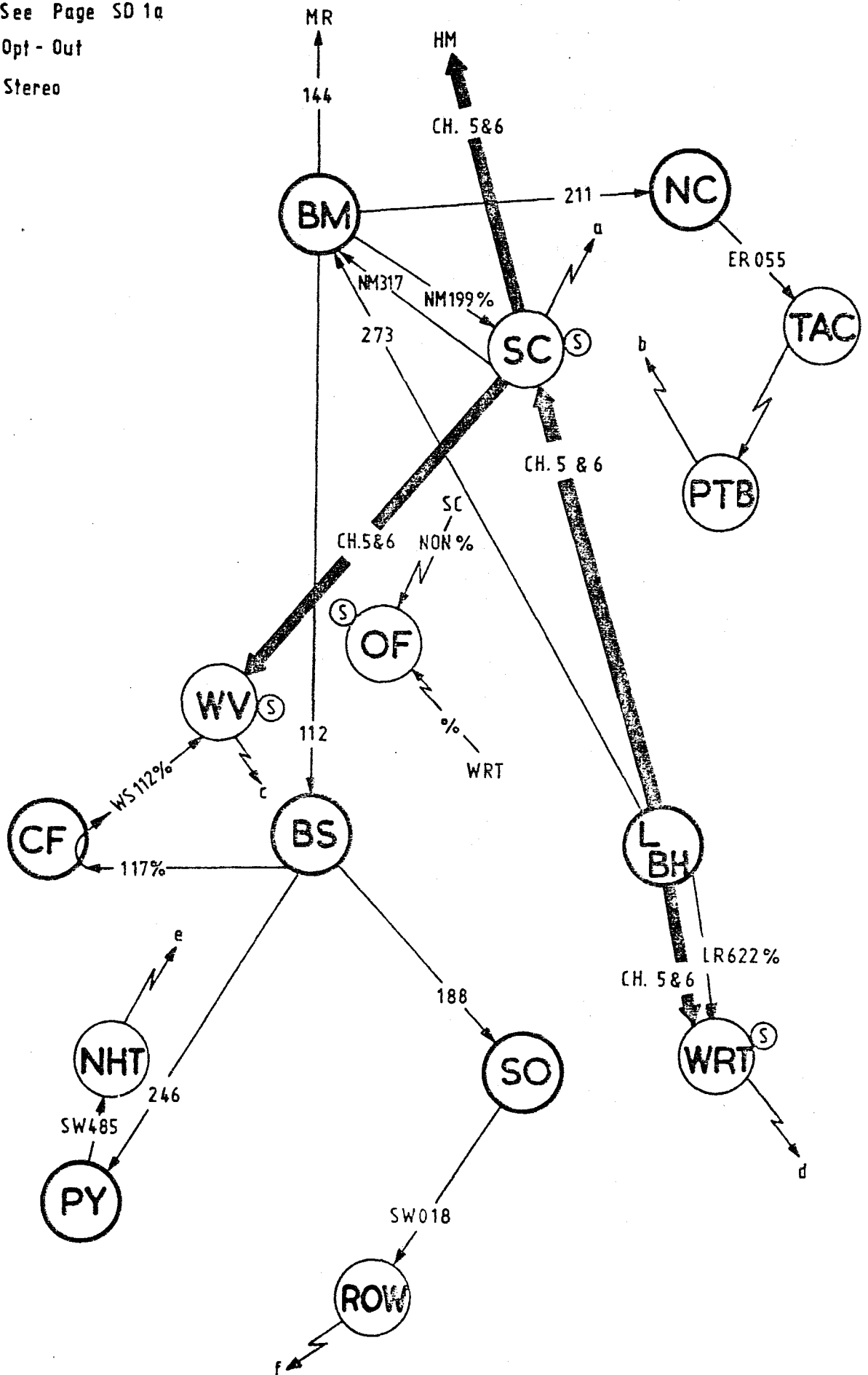
See Page SD 1a

%

Opt - Out

(S)

Stereo



RADIO FOUR DISTRIBUTION - SOUTH

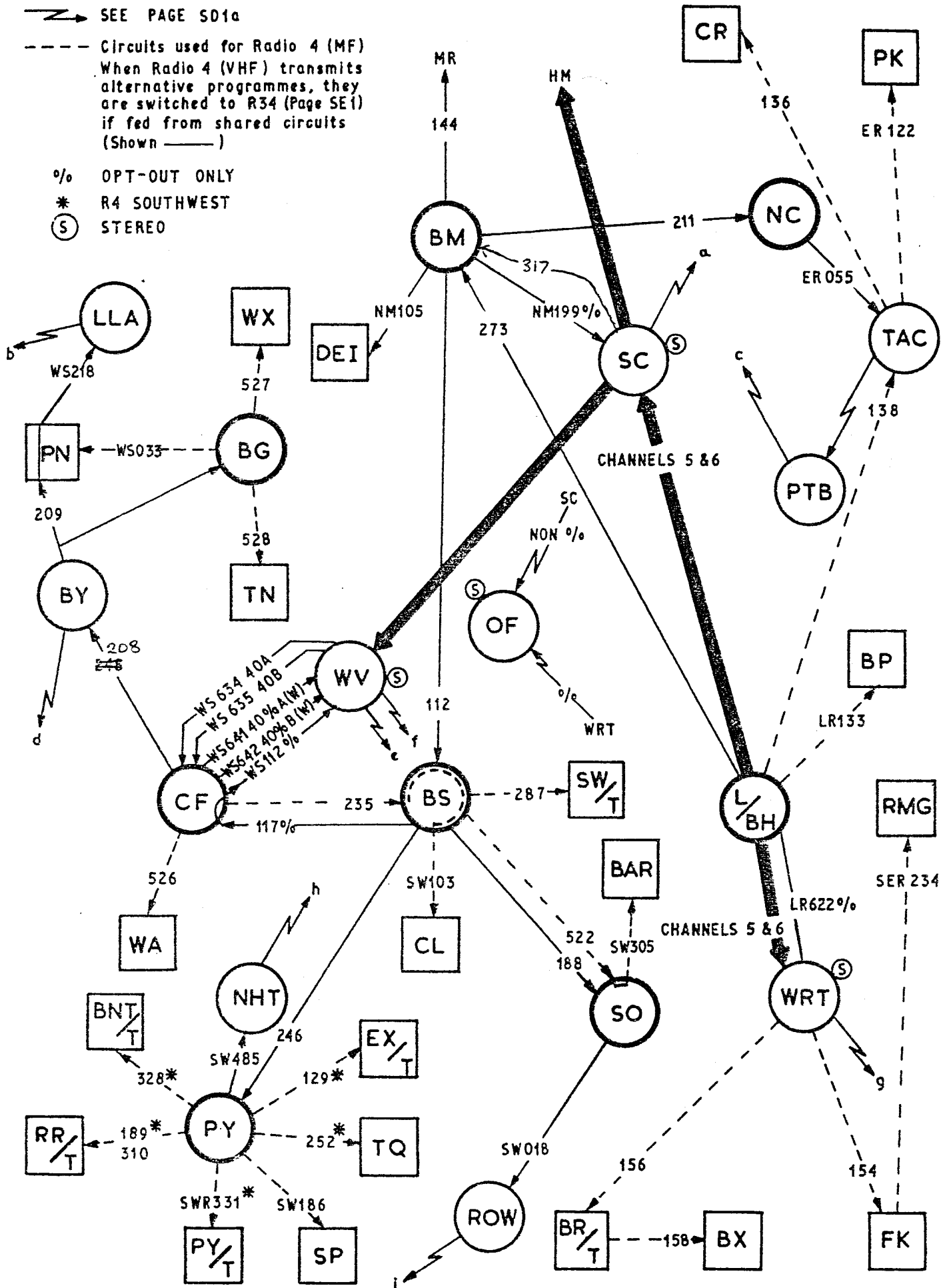
➤ SEE PAGE SD1a

----- Circuits used for Radio 4 (MF)
 When Radio 4 (VHF) transmits alternative programmes, they are switched to R34 (Page SE1) if fed from shared circuits (Shown -----)

% OPT-OUT ONLY

* R4 SOUTHWEST

(S) STEREO



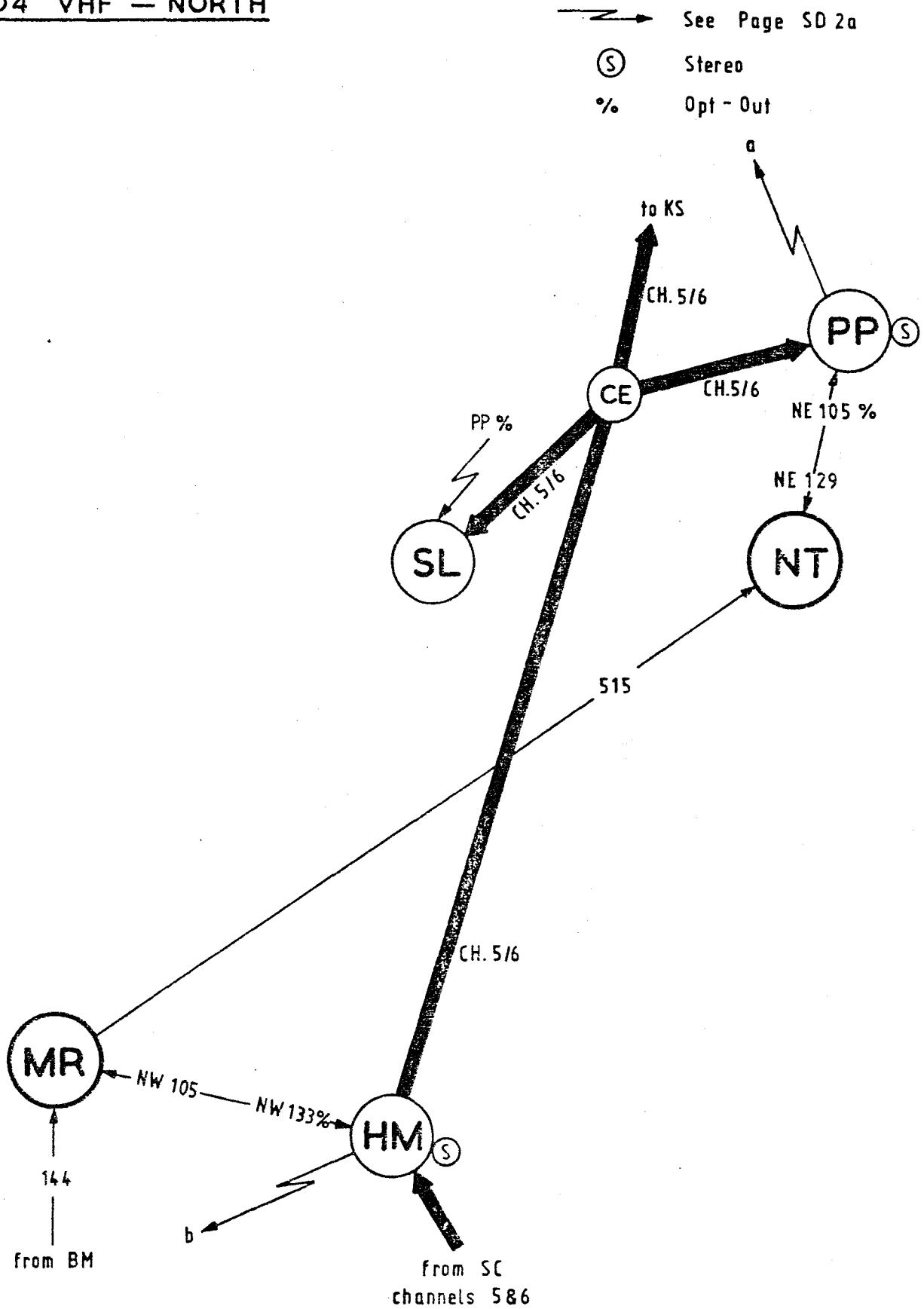
NETWORK ROUTINGS

PART ONE

SD2

ISSUE 11/78

D4 VHF — NORTH



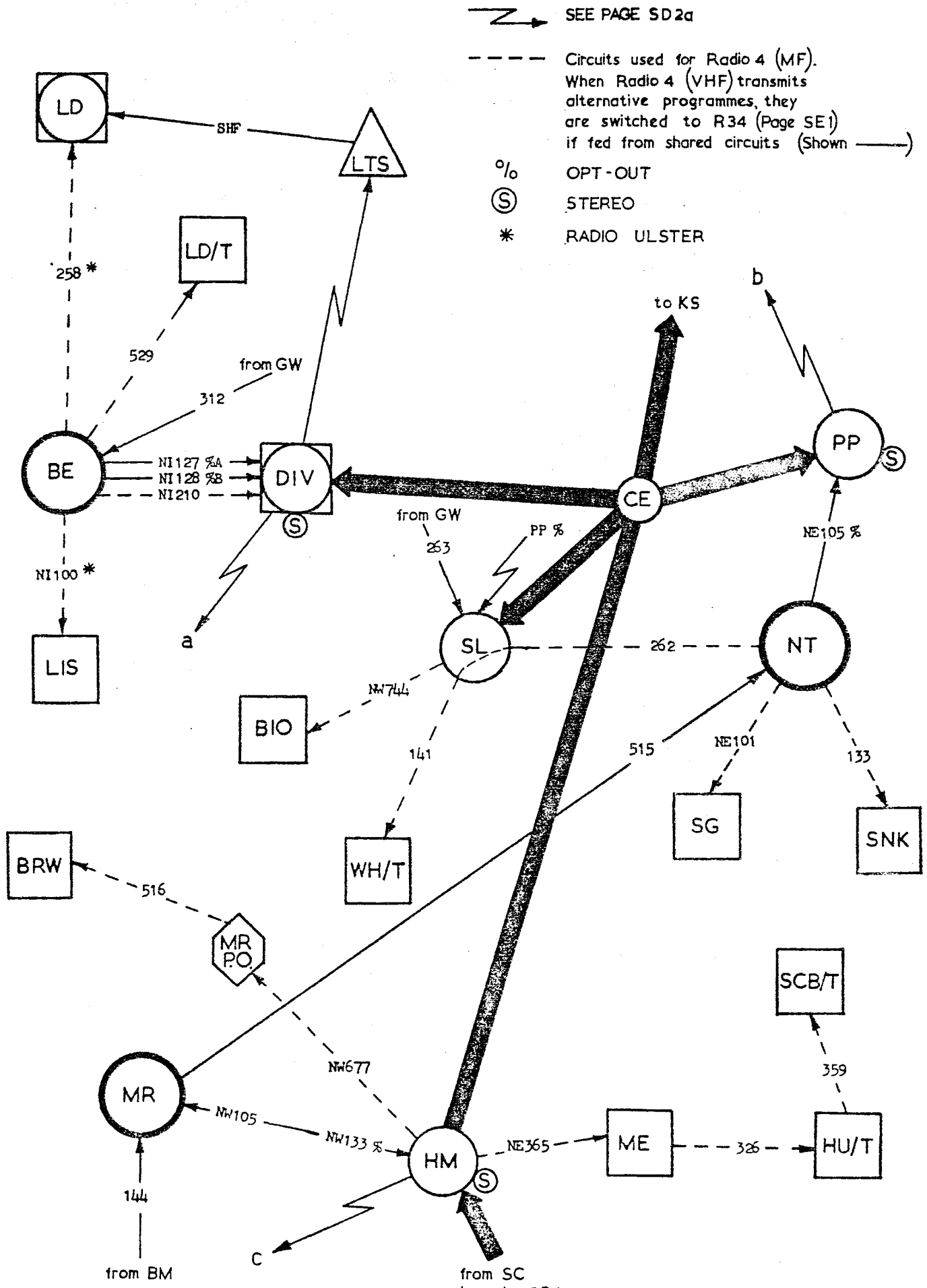
NETWORK ROUTINGS

PART ONE

SD2

ISSUE 6/77

RADIO FOUR DISTRIBUTION-NORTH, (EXCEPT SCOTLAND-SEE PAGE SD2c)



NETWORK ROUTINGS

PART ONE

SD2c

ISSUE 6/77

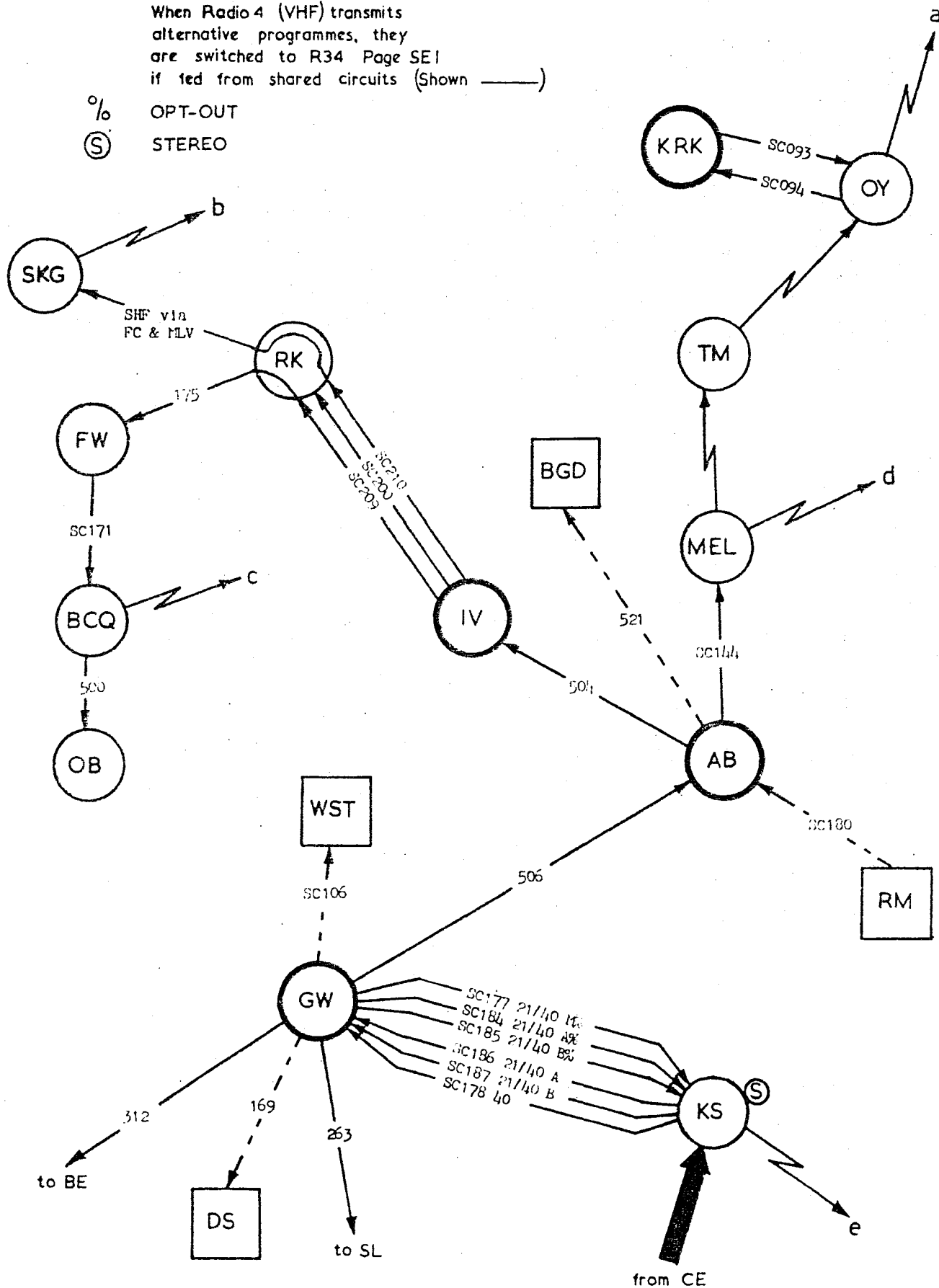
RADIO FOUR DISTRIBUTION - SCOTLAND

 SEE PAGE SD 2b

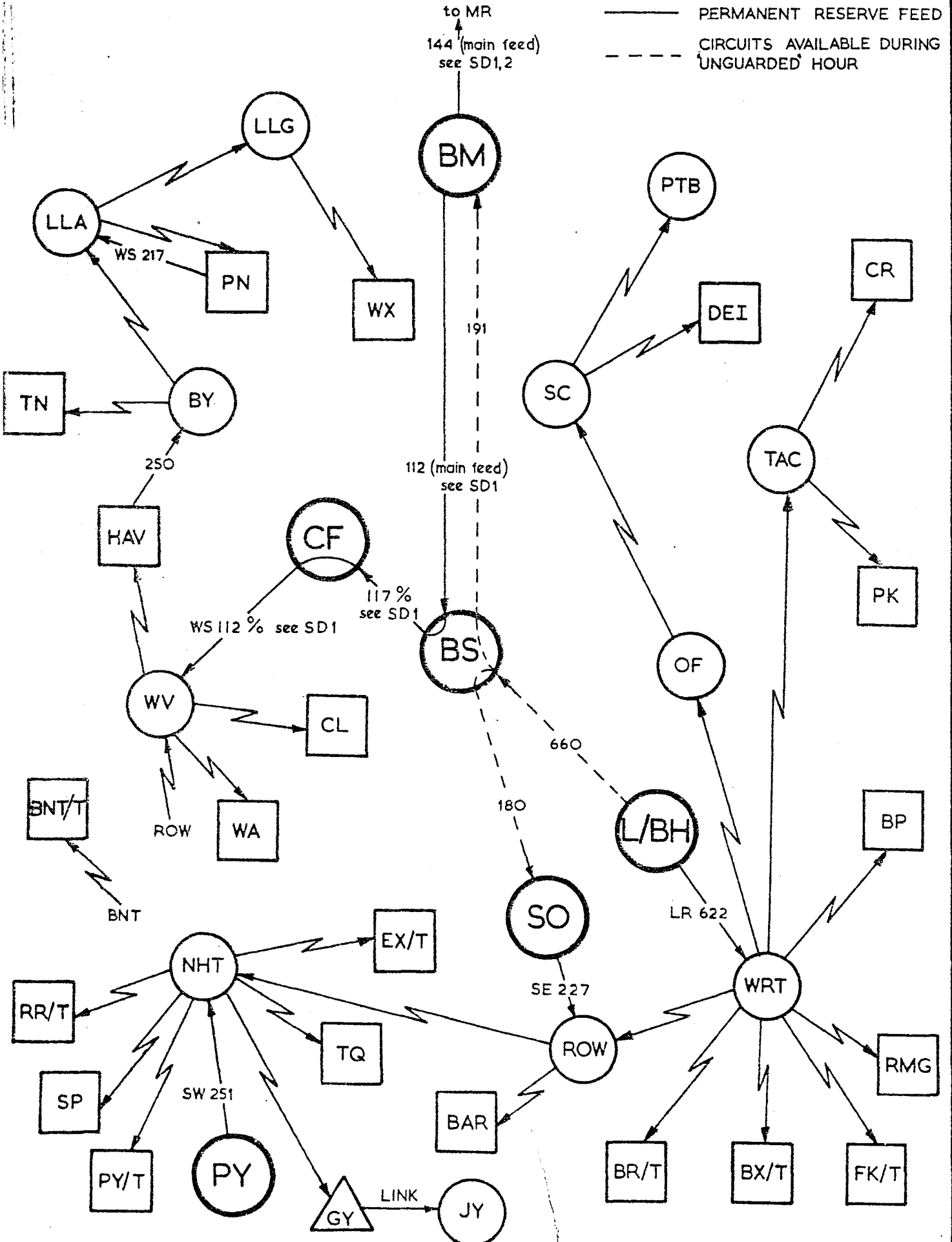
--- Circuits used for Radio 4 (MF)
When Radio 4 (VHF) transmits alternative programmes, they are switched to R34 Page SE1 if fed from shared circuits (Shown —)

% OPT-OUT

(S) STEREO



RADIO FOUR RESERVE DISTRIBUTION - SOUTH



NETWORK ROUTINGS

PART ONE

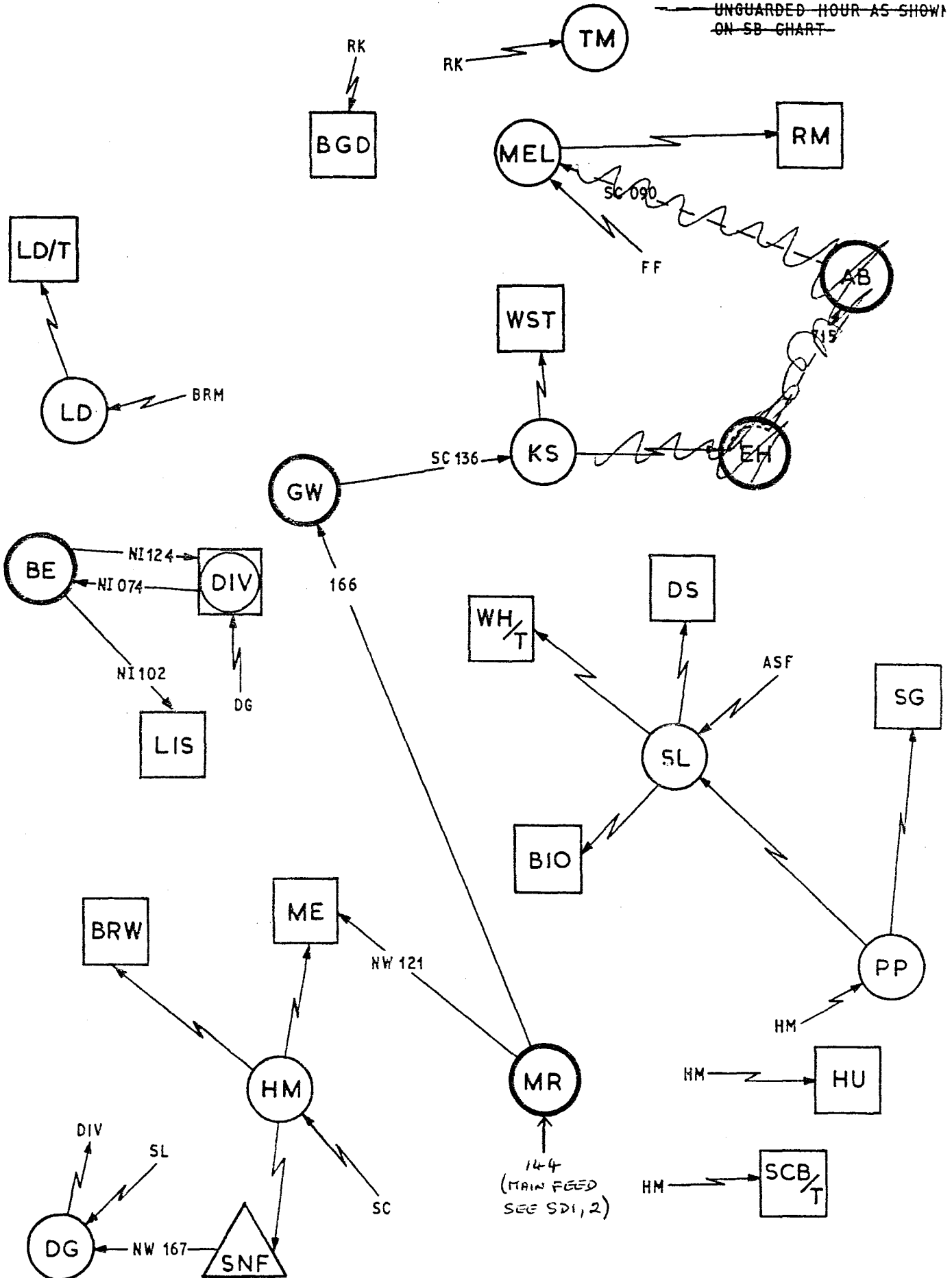
SD4

ISSUE 2/76

RADIO FOUR RESERVE DISTRIBUTION - NORTH

— PERMANENT RESERVE FEED:

~~— CIRCUITS AVAILABLE DURING
UNGUARDED HOUR AS SHOWN
ON SB CHART~~



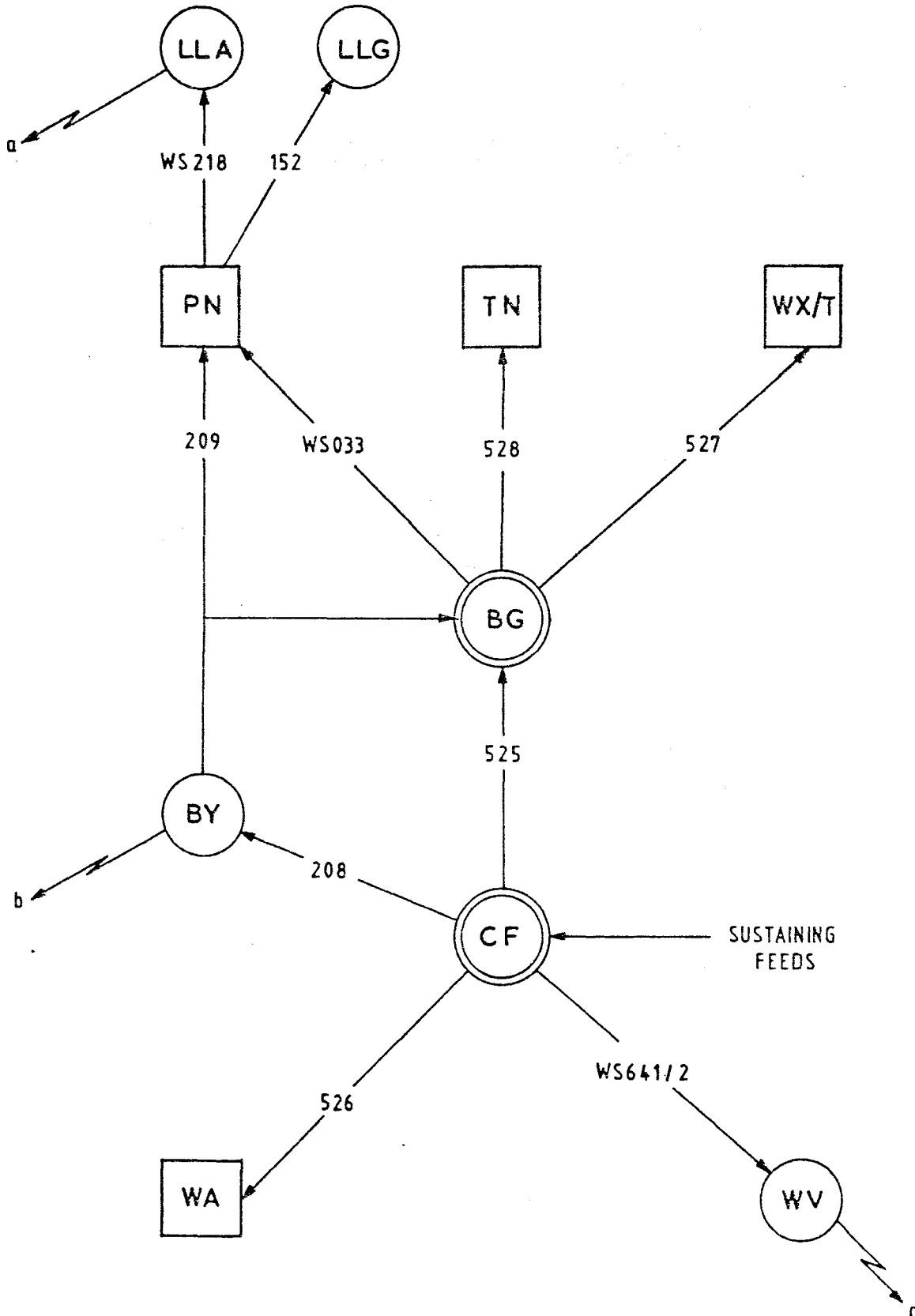
NETWORK ROUTINGS

PART ONE

SD4

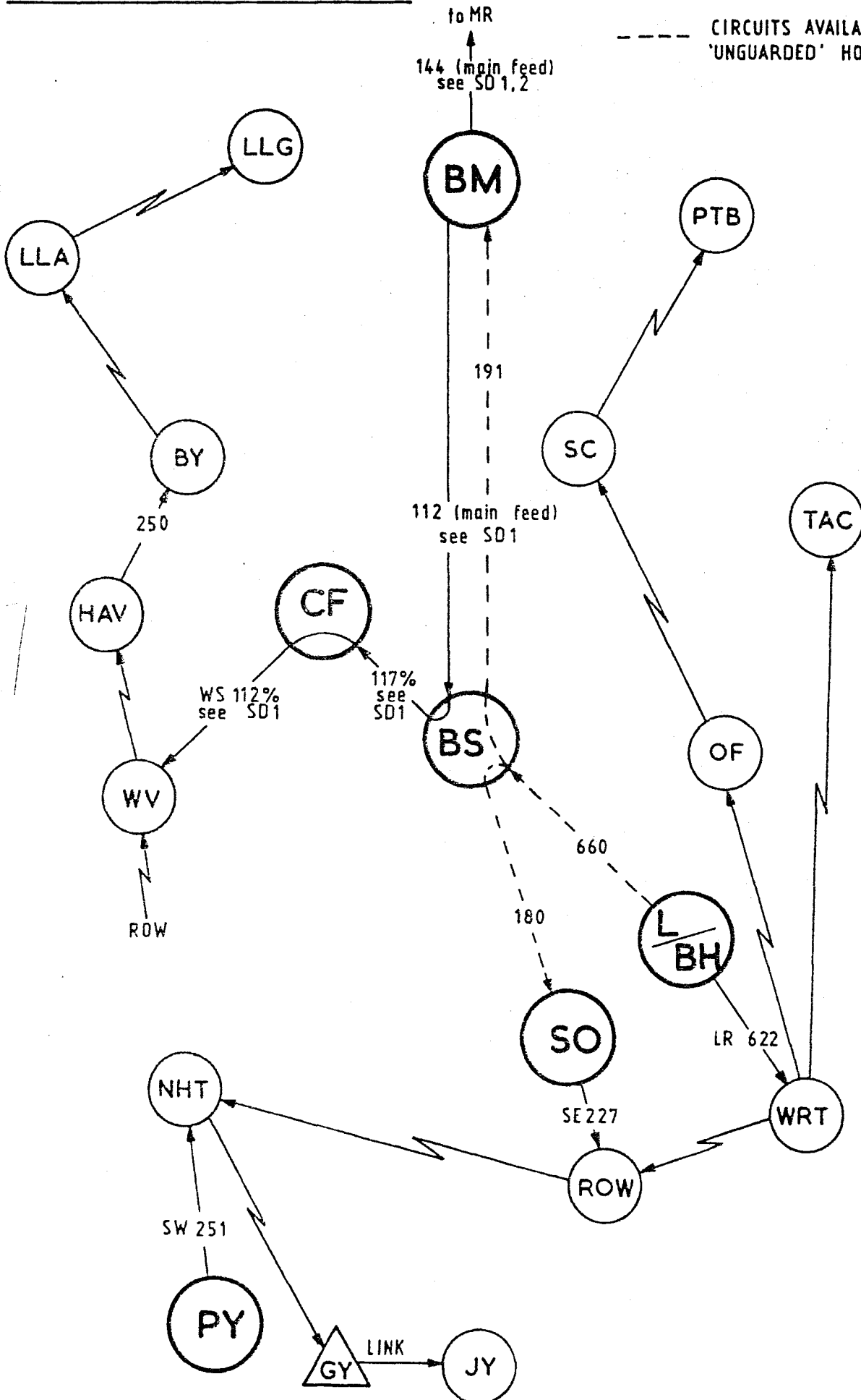
ISSUE 11/78

REGIONAL DISTRIBUTION — WALES



D4 VHF RESERVE — SOUTH

—— PERMANENT RESERVE FEED
----- CIRCUITS AVAILABLE DURING 'UNGUARDED' HOUR



NETWORK ROUTINGS

PART ONE

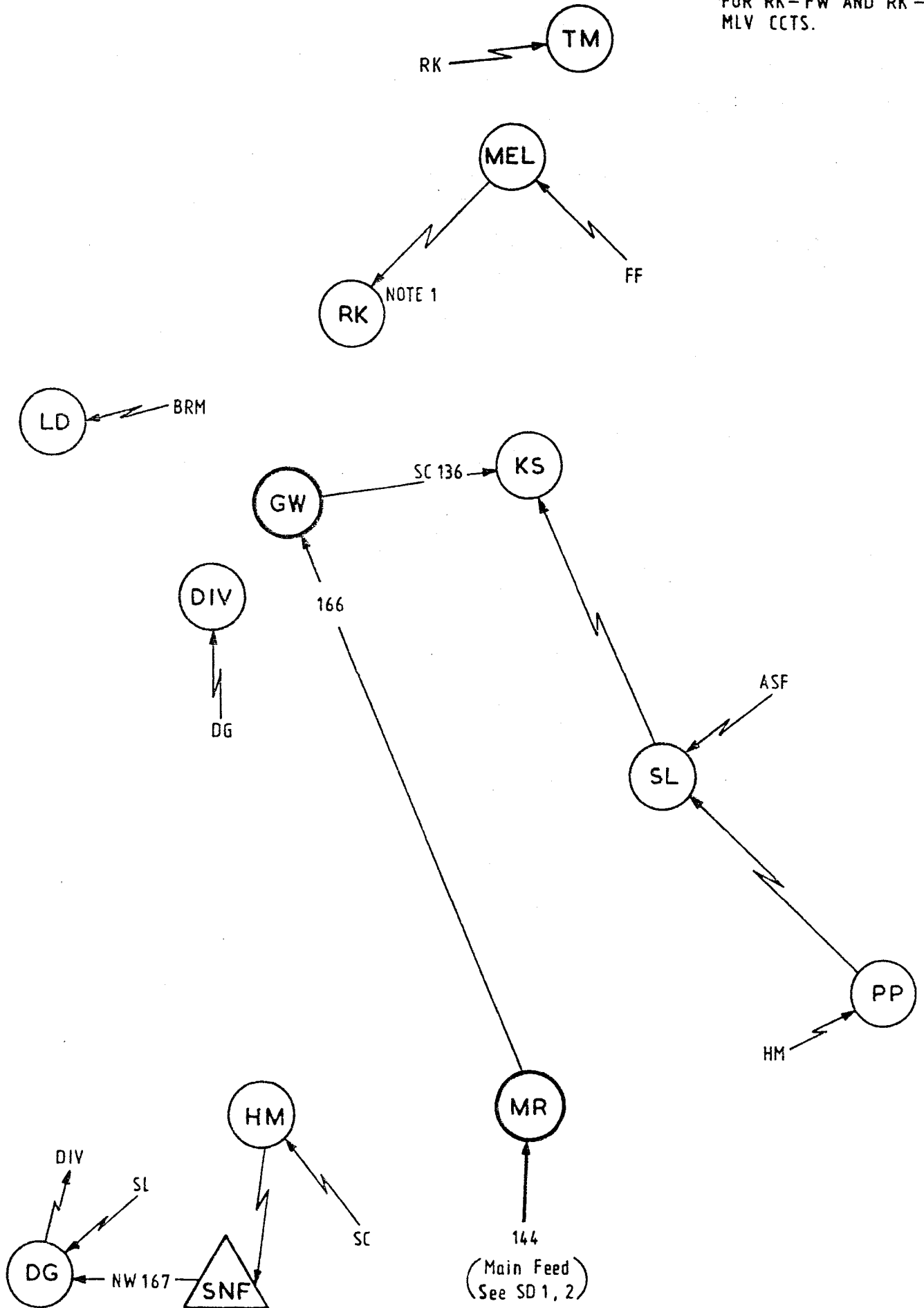
SD 7

ISSUE 11/78

D4 VHF RESERVE - NORTH

— PERMANENT RESERVE FEEDS

NOTE 1 - ALSO RESERVE SOURCE FOR RK-FW AND RK-MLV CCTS.



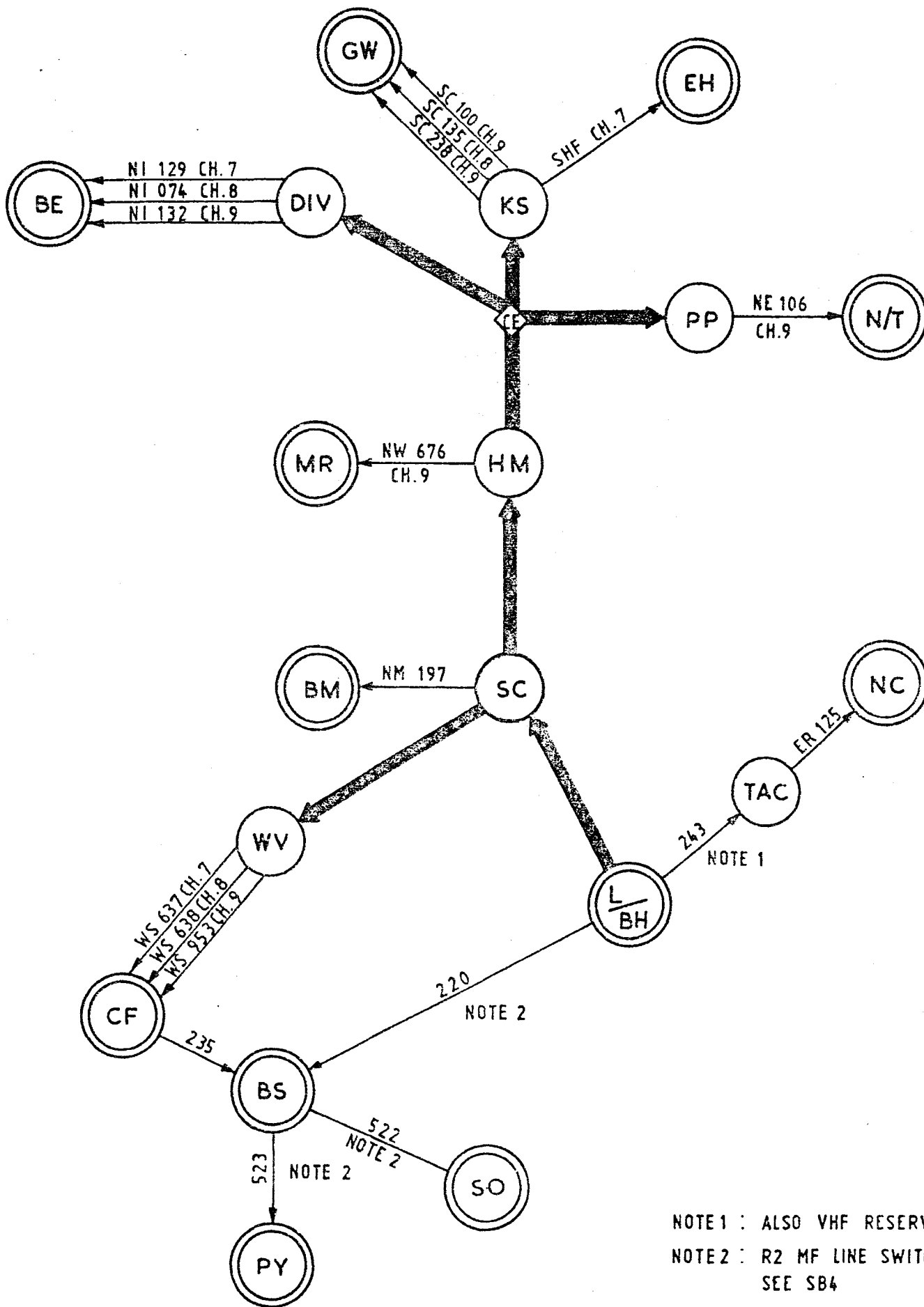
NETWORK ROUTINGS

PART ONE

SM 3

ISSUE 11/78

REGIONAL CONTRIBUTION CIRCUITS



NOTE 1 : ALSO VHF RESERVE
NOTE 2 : R2 MF LINE SWITCHED
SEE SB4